

HEI170 Ventis Wood Insert

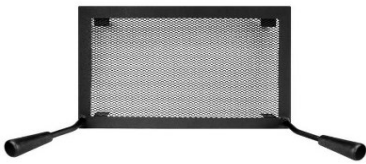
VB00014



Key Features

- Medium size wood insert
- EPA certified at only 1.26 g/h
- Includes A144 CFM blower
- Non-catalytic combustion technology
- Cast iron door
- Heating Area (500 - 1,800 sq. ft.)
- Firebox Size 1.9 sq. ft.
- Maximum Burn Time 6 hours
- Maximum Output 65,000 BTU/h
- Optimum efficiency 78%
- Recommended Log length 18 inches
- Flue Size 6 inches
- Minimum Flue Height 12 ft. from top of insert
- Minimum Fireplace Opening
21 1/2" H x 27 1/2" W x 12 3/4" D

Options



AC01299 Rigid Screen

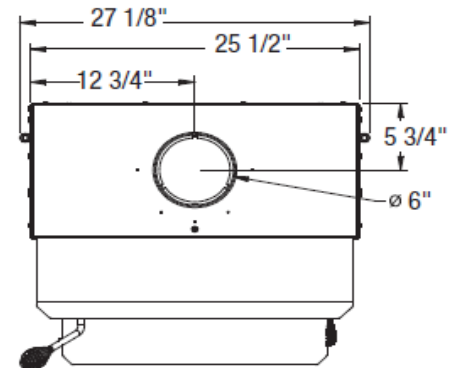
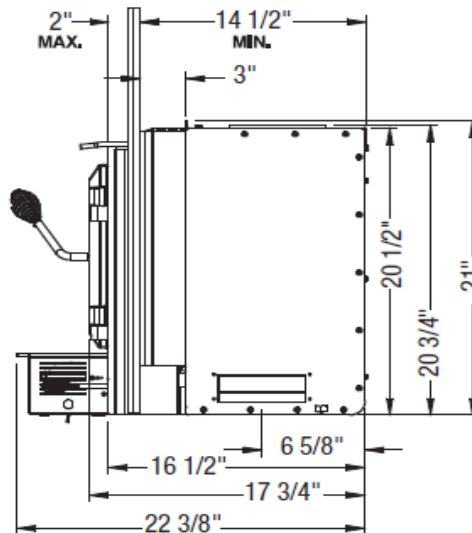
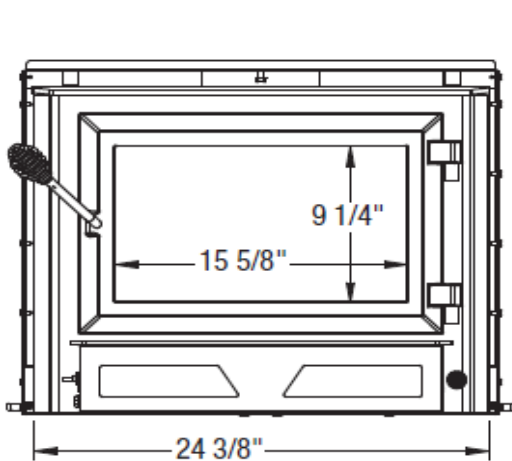


VBA1555 29" x 44" Faceplate
VBA1556 34" x 50" Faceplate



AC01298 Fresh Air Kit

Specifications



HE170 Ventis Wood Insert

FEATURES

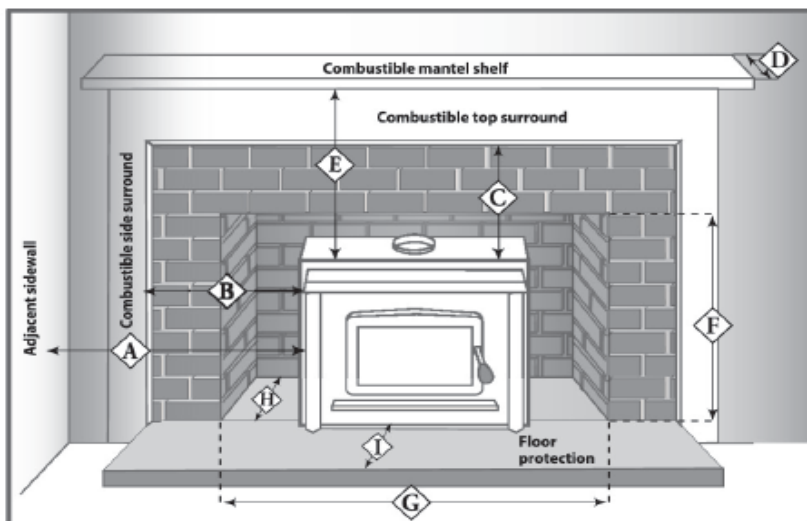
COLOR	Black
MAXIMUM BURN TIME (1)	6 hours
COMBUSTION TECHNOLOGY	Non-catalytic
RECOMMENDED HEATING AREA (1)	500 - 1,800 ft ²
HEATING CAPACITY - BTU/h, EPA TEST LOAD	23,300 BTU/h
HEATING CAPACITY - BTU/h, SEASONED CORD WOOD	65,000 BTU/h
AVERAGE PARTICULATE EMISSIONS RATE	1.26 g/h
OPTIMUM EFFICIENCY	78%
DOOR OPENING DIMENSIONS (W X H)	17 1/4" x 8 3/4"
FIREBOX DIMENSIONS (W X D)	19 5/8" x 13 1/2"
FIREBOX VOLUME	1.9 ft ³
GLASS VIEWING AREA (W X H)	15 5/8" x 9 1/4"
DOOR TYPE	Single, glass with cast iron frame 20"
MAXIMUM LOG LENGTH	18"
LOG POSITIONING	Over width
FLUE COLLAR DIAMETER	6"
GLASS TYPE	Ceramic glass
WARRANTY	Limited lifetime

EXTERIOR DIMENSIONS AND WEIGHT

WIDTH (WITHOUT FACEPLATE)	27 1/8"
DEPTH	22 3/8"
HEIGHT (WITHOUT FACEPLATE)	21"
WEIGHT	361 lb.

CLEARANCES FROM UNIT TO COMBUSTIBLE MATERIALS (FIGURE 1)

A - ADJACENT SIDEWALL	16"
B - COMBUSTIBLE SIDE SURROUND	9"
C - COMBUSTIBLE TOP SURROUND	27"
D - COMBUSTIBLE MANTLE SHELF DIMENSION (MAX)	12"
E - MINIMUM CLEARANCE FROM A COMBUSTIBLE MANTLE SHELF	27"
F, G, H - MINIMUM FIREPLACE OPENING w/ BLOWER (H X W X D)	21 1/2" x 27 1/2" x 12 3/4"
I - MINIMUM FLOOR PROTECTION IN FRONT OF UNIT (USA)	16"



1) Recommended heating area and maximum burn time may vary subject to location in home, chimney draft, heat loss factors, climate, fuel type and other variables. The recommended heated area for a given appliance is defined by the manufacturer as its capacity to maintain a minimum acceptable temperature considering the configuration of the space or the presence of an air distribution system have a significant impact on the optimal distribution of heat.


 From door opening

Figure 1

Technical data contained in this brochure are for reference only. Any installation must be done according to the data and drawings detailed in the owner's manual