

HEI240 Ventis Wood Insert

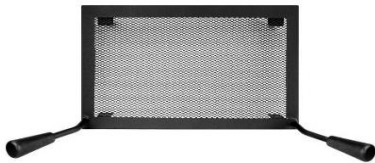
VB00012



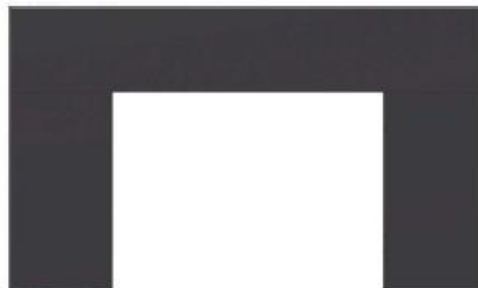
Key Features

- Medium size wood insert
- EPA certified at only 1.54 g/h
- Includes A144 CFM blower
- Non-catalytic combustion technology
- Cast iron door
- Heating Area (500 - 2,100 sq. ft.)
- Firebox Size 2.4 sq. ft.
- Maximum Burn Time 8 hours
- Maximum Output 75,000 BTU/h
- Optimum efficiency 74%
- Recommended Log length 20 inches
- Flue Size 6 inches
- Minimum Flue Height 12 ft. from top of insert
- Minimum Fireplace Opening
23 3/8" H x 28 7/8" W x 15 3/4" D

Options



AC01315 Rigid Screen

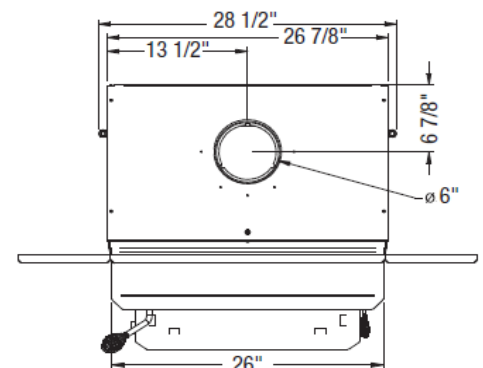
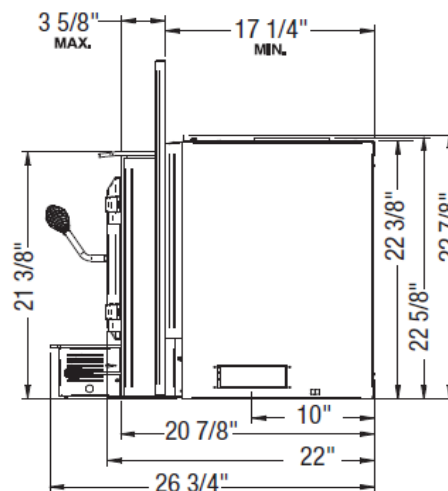
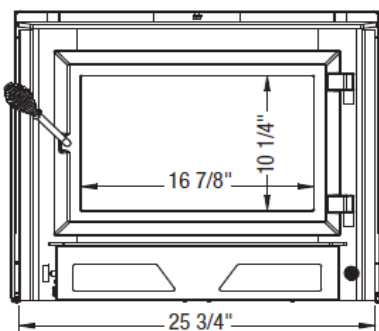


AC01550 29" x 44" Faceplate
AC01551 34" x 50" Faceplate



AC01298 Fresh Air Kit

Specifications



HEI240 Ventis Wood Insert

FEATURES

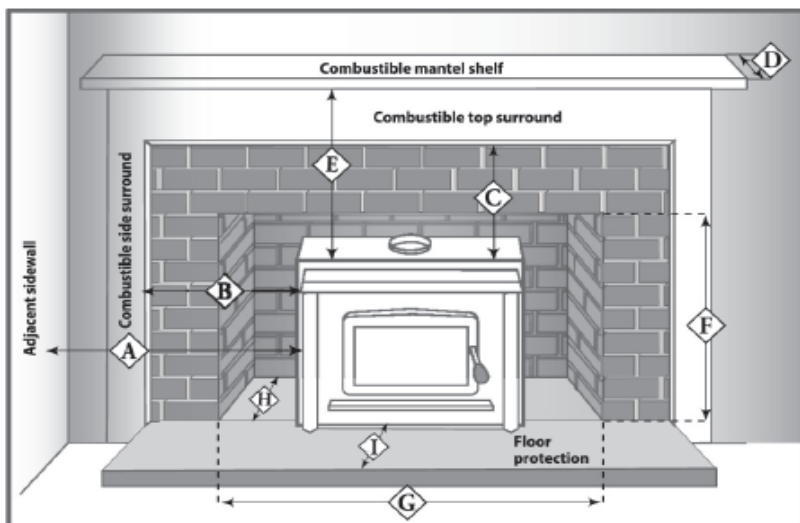
COLOR	Black
MAXIMUM BURN TIME (1)	8 hours
COMBUSTION TECHNOLOGY	Non-catalytic
RECOMMENDED HEATING AREA (1)	500 - 2,100 ft ²
HEATING CAPACITY - BTU/h, EPA TEST LOAD	28,600 BTU/h
HEATING CAPACITY - BTU/h, SEASONED CORD WOOD	75,000 BTU/h
AVERAGE PARTICULATE EMISSIONS RATE	1.54 g/h
OPTIMUM EFFICIENCY	77%
DOOR OPENING DIMENSIONS (W X H)	17 1/2" x 9"
FIREBOX DIMENSIONS (W X D)	21" x 20"
FIREBOX VOLUME	2.4 ft ³
GLASS VIEWING AREA (W X H)	16 7/8" x 10 1/4"
DOOR TYPE	Single, glass with cast iron frame 20"
MAXIMUM LOG LENGTH	20"
LOG POSITIONING	Over width
FLUE COLLAR DIAMETER	6"
GLASS TYPE	Ceramic glass
WARRANTY	Limited lifetime

EXTERIOR DIMENSIONS AND WEIGHT

WIDTH (WITHOUT FACEPLATE)	28 1/2"
DEPTH	26 3/4"
HEIGHT (WITHOUT FACEPLATE)	22 7/8"
WEIGHT	407 lb.

CLEARANCES FROM UNIT TO COMBUSTIBLE MATERIALS (FIGURE 1)

A - ADJACENT SIDEWALL	16"
B - COMBUSTIBLE SIDE SURROUND	9"
C - COMBUSTIBLE TOP SURROUND	27"
D - COMBUSTIBLE MANTLE SHELF DIMENSION (MAX)	12"
E - MINIMUM CLEARANCE FROM A COMBUSTIBLE MANTLE SHELF	27"
F, G, H - MINIMUM FIREPLACE OPENING w/ BLOWER (H X W X D)	23 3/8" x 28 7/8" x 15 3/4"
I - MINIMUM FLOOR PROTECTION IN FRONT OF UNIT (USA)	16"



1) Recommended heating area and maximum burn time may vary subject to location in home, chimney draft, heat loss factors, climate, fuel type and other variables. The recommended heated area for a given appliance is defined by the manufacturer as its capacity to maintain a minimum acceptable temperature considering the configuration of the space or the presence of an air distribution system have a significant impact on the optimal distribution of heat.


 From door opening

Figure 1