

# HEI350 Ventis Wood Insert

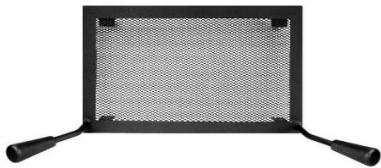
VB00021



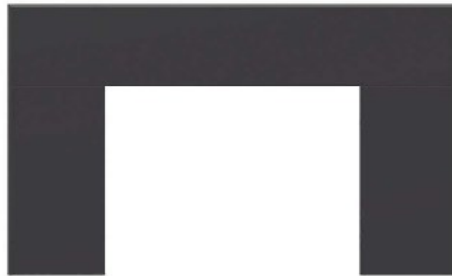
## Key Features

- Extra-large size wood insert
- EPA certified at only 1.32 g/h
- Includes A144 CFM blower
- Non-catalytic combustion technology
- Cast iron door
- Heating Area (1,000 - 2,700 sq. ft.)
- Firebox Size 3.5 sq. ft.
- Maximum Burn Time 10 hours
- Maximum Output 110,000 BTU/h
- Optimum efficiency 77%
- Recommended Log length 22 inches
- Flue Size 6 inches
- Minimum Flue Height 12 ft. from top of insert
- Minimum Fireplace Opening  
26 1/4" H x 31" W x 18 3/8" D

## Options



AC01281 Rigid Screen

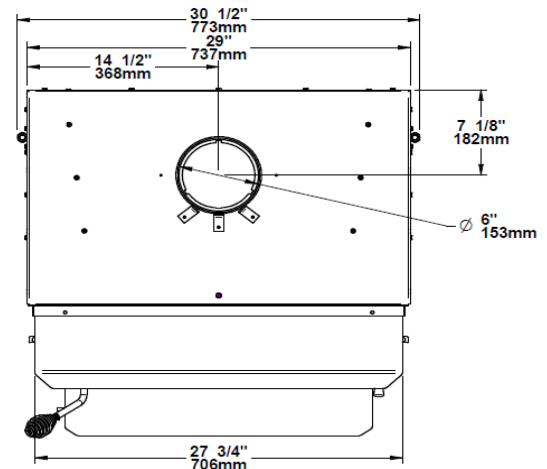
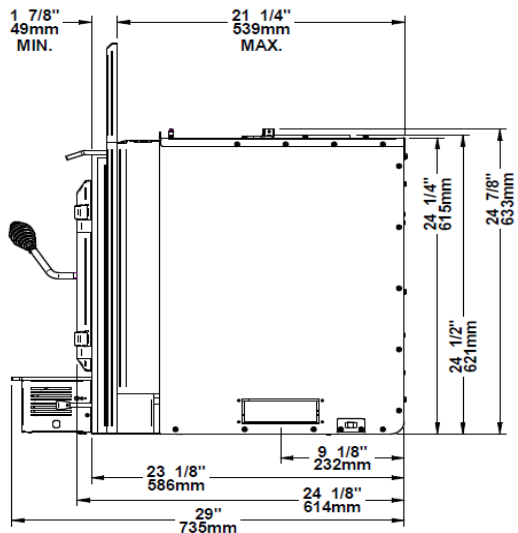
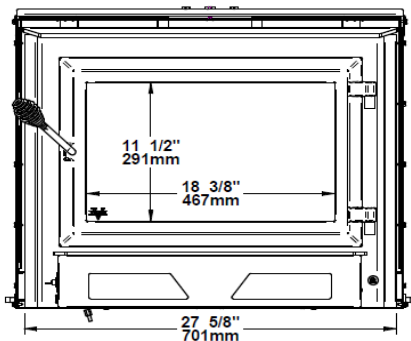


AC01557 29" x 44" Faceplate  
AC01558 34" x 50" Faceplate



AC01298 Fresh Air Kit

## Specifications



# HEI350 Ventis Wood Insert

## FEATURES

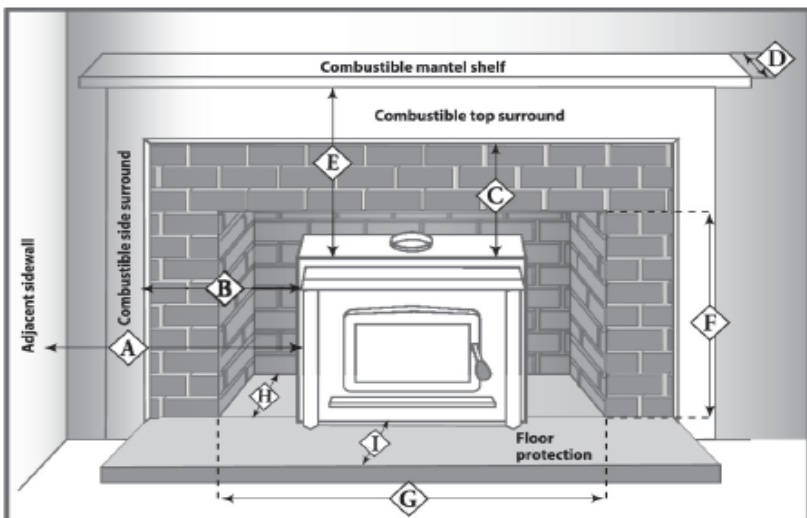
COLOR	Black
MAXIMUM BURN TIME (1)	10 hours
COMBUSTION TECHNOLOGY	Non-catalytic
RECOMMENDED HEATING AREA (1)	1,000 - 2,700 ft <sup>2</sup>
HEATING CAPACITY - BTU/h, EPA TEST LOAD	49,500 BTU/h
HEATING CAPACITY - BTU/h, SEASONED CORD WOOD	110,000 BTU/h
AVERAGE PARTICULATE EMISSIONS RATE	1.32 g/h
OPTIMUM EFFICIENCY	77%
DOOR OPENING DIMENSIONS (W X H)	19" x 9 1/4"
FIREBOX DIMENSIONS (W X D)	22 7/8 x 20 1/8"
FIREBOX VOLUME	3.5 ft <sup>3</sup>
GLASS VIEWING AREA (W X H)	18 3/8" x 11 1/2"
DOOR TYPE	Single, glass with cast iron frame 20"
MAXIMUM LOG LENGTH	22"
LOG POSITIONING	Loading over width and over depth
FLUE COLLAR DIAMETER	6"
GLASS TYPE	Ceramic glass
WARRANTY	Limited lifetime

## EXTERIOR DIMENSIONS AND WEIGHT

WIDTH (WITHOUT FACEPLATE)	30 1/2"
DEPTH	29"
HEIGHT (WITHOUT FACEPLATE)	24 7/8"
WEIGHT	562 lb.

## CLEARANCES FROM UNIT TO COMBUSTIBLE MATERIALS (FIGURE 1)

A - ADJACENT SIDEWALL	19"
B - COMBUSTIBLE SIDE SURROUND	9"
C - COMBUSTIBLE TOP SURROUND	27"
D - COMBUSTIBLE MANTLE SHELF DIMENSION (MAX)	12"
E - MINIMUM CLEARANCE FROM A COMBUSTIBLE MANTLE SHELF	27"
F, G, H - MINIMUM FIREPLACE OPENING with BLOWER (H X W X D)	26 1/4" H x 31" W x 18 3/8" D
I - MINIMUM FLOOR PROTECTION IN FRONT OF UNIT (USA)	16"



1) Recommended heating area and maximum burn time may vary subject to location in home, chimney draft, heat loss factors, climate, fuel type and other variables. The recommended heated area for a given appliance is defined by the manufacturer as its capacity to maintain a minimum acceptable temperature considering the configuration of the space or the presence of an air distribution system have a significant impact on the optimal distribution of heat.

 From door opening

**Figure 1**