

# HES350 Ventis Wood Stove

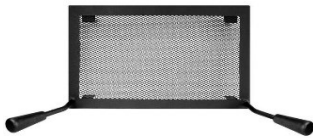
VB00020



## Key Features

- Extra-large wood stove on pedestal
- EPA certified at only 1.32 g/h
- Includes Ash Pan
- Non-catalytic combustion technology
- Cast iron door
- Heating Area (1,000 - 2,700 sq. ft.)
- Firebox Size 3.5 sq. ft.
- Maximum Burn Time 10 hours
- Maximum Output 110,000 BTU/h
- Overall Efficiency 77%
- Recommended Log length 22 inches
- Flue Size 6 inches
- Minimum Flue Height 12 ft. from top of stove
- Mobile Home Approved
- Alcove Installation Approved

## Options



AC01281 Rigid Screen

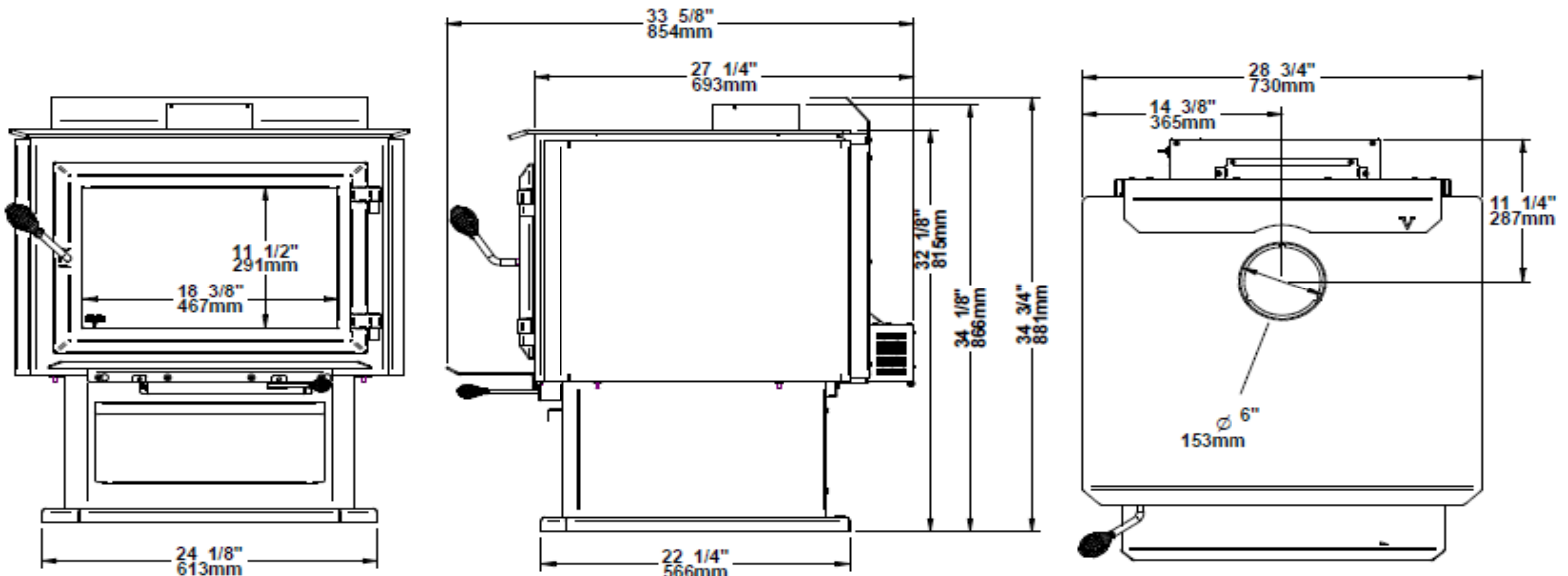


AC01000 Thermostat Blower



AC01336 Fresh Air Kit

## Specifications



# HES350 Ventis Wood Stove

## FEATURES

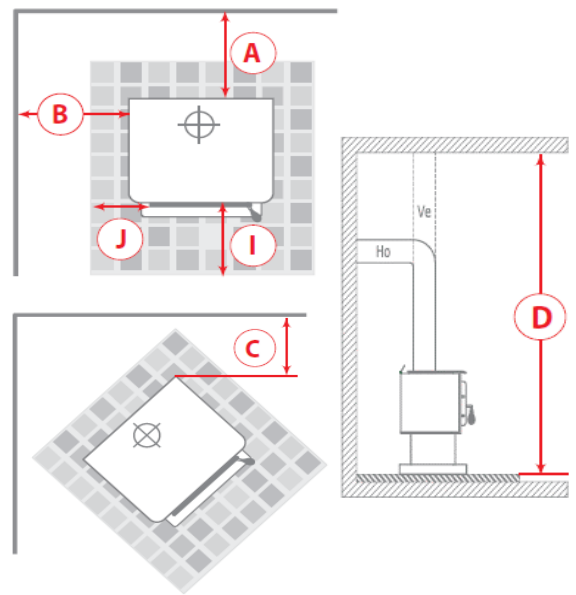
COLOR	Black
BURN TIME (ON LOW SETTING)	10 hours
COMBUSTION TECHNOLOGY	Non-catalytic
RECOMMENDED HEATING AREA (1)	1,000 - 2,700 ft <sup>2</sup>
HEATING CAPACITY - BTU/h, EPA TEST LOAD	49,500 BTU/h
HEATING CAPACITY - BTU/h, SEASONED CORD WOOD	110,000 BTU/h
EMISSIONS (EPA)	1.32 g/h
OPTIMUM EFFICIENCY	77%
DOOR OPENING DIMENSIONS (W X H)	19" x 9 1/4"
FIREBOX DIMENSIONS (W X D)	22 7/8" x 20 1/8"
FIREBOX VOLUME	3.5 ft <sup>3</sup>
GLASS VIEWING AREA (W X H)	18 3/8" x 11 1/2"
DOOR TYPE	Single, glass with cast iron frame 20"
MAXIMUM LOG LENGTH	22"
LOG POSITIONING	Loading over width and over depth
FLUE COLLAR DIAMETER	6"
GLASS TYPE	Ceramic glass
ASH DRAWER WITH SAFETY LID	Yes
MOBILE HOME APPROVED (2)	Yes
APPROVED FOR AN ALCOVE INSTALLATION	Yes
WARRANTY	Limited lifetime

## EXTERIOR DIMENSIONS AND WEIGHT

WIDTH	28 3/4"
DEPTH	30 5/8"
HEIGHT	34 3/4"
WEIGHT	520 lb.

## CLEARANCES FROM UNIT TO COMBUSTIBLE MATERIALS

WITH SINGLE WALL PIPE (3)	(USA)
A - BACK	13"
B - SIDES	14"
C - CORNERS	7 1/4"
D - CEILING (4)	84"
WITH DOUBLE WALL PIPE	(USA)
A - BACK	7"
B - SIDES	14"
C - CORNERS	7"
D - CEILING (4)	84"
MINIMUM FLOOR PROTECTION IN FRONT OF UNIT	16"



(1) Recommended heating area and maximum burn time may vary subject to location in home, chimney draft, heat loss factors, climate, fuel type and other variables. The recommended heated area for a given appliance is defined by the manufacturer as its capacity to maintain a minimum acceptable temperature in the designated area in case of a power failure. (2) Fresh air intake kit required. (3) Consult local code for minimum clearances of the single wall pipe itself to combustibles. See also the venting manufacturer's instructions. (4) Measured from the base of the appliance. Some appliances have been tested with a low ceiling. Before setting up your unit, refer to the installation manual.

*Technical data contained in this brochure are for reference only. Any installation must be done according to the data and drawings detailed in the owner's manual*